

Type 152 Pressure Regulator

For steam, liquids and gases

152-TB
07/02

Staitech

Type 152 Pressure Regulator

The Type 152 pressure regulator is manufactured in a grade of stainless steel equivalent to 316/316L, and is intended for steam, liquid and gas applications.

The valve head and seating surfaces are hard wearing stainless steel, which makes the Type 152 ideal for steam service applications. A PTFE diaphragm protective film allows the unit to be used at temperatures of up to 180°C.

The Type 152 regulator would not typically be used where rapidly fluctuating loads or vacuum pulses are to be experienced, a common occurrence with freeze driers and autoclaves.

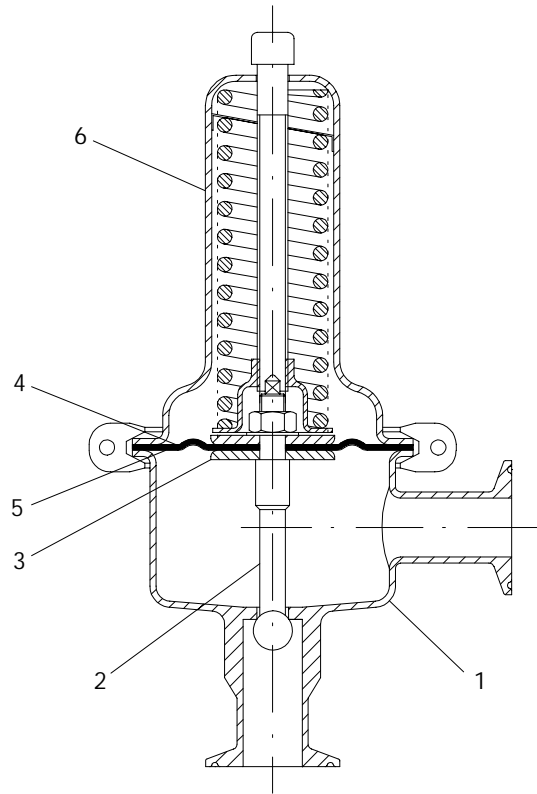
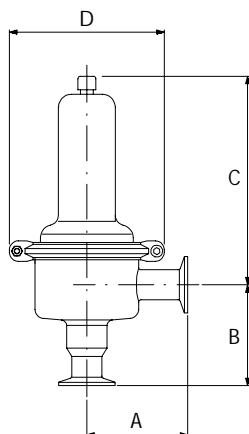
Features offered by the Type 152 include:

- Angled pattern design - ensures that the unit is free-draining.
- Self acting design - eliminates need for external power source.

Product specification

Sizes	3/4", 1", 1-1/2" & 2"			
Connections	Tri-Clamp® compatible			
Maximum kvs(m³/h):				
3/4"	1"	1-1/2"	2"	
2.0	3.0 or 3.5	4.0 or 4.5	5.2	
Set pressure ranges(barg)	0.3 - 1.1, 0.8 - 2.5, 1 - 5			
Maximum operating pressure	8 barg			
Maximum operating temperature	180°C			
Leakage class	0.05% of selected kvs			
Surface finish:				
Internal body surfaces:	Machined/vacu-blast finish optional 0.8 micron Ra finish available			
External surfaces:	Vacu-blast finish			
Options	Sealed spring chamber with vent			

Note: Glass bead vacu-blasting produces a mottled satin finish



Materials of construction

1.	Body and seat	AISI 316 Stainless steel
2.	Stem	AISI 316 Stainless steel
3.	Lower diaphragm plate	AISI 316 Stainless steel
4.	Diaphragm	EPDM
5.	Diaphragm protection film	PTFE
6.	Spring chamber	AISI 316 Stainless steel

Full parts breakdown available upon request

Dimensions(mm)

Spring range 0.3-1.1 barg

	A	B	C	D	Weight(kg)
3/4" & 1"	120	120	200	138	3.0
1-1/2"	120	120	200	138	3.5
2"	120	120	200	138	4.0

Spring ranges 0.8-2.5 and 1-5 barg

	A	B	C	D	Weight(kg)
3/4" & 1"	90	90	200	200	2.0
1-1/2"	120	120	200	200	2.5
2"	120	120	200	200	3.0

Sizing Consult Staitech for product sizing

Specification subject to change without notice