

# Type 696 Pressure Regulator

For steam, liquids and gases

696-TB  
08/02

# Staitech

## Type 696 Pressure Regulator

The Type 696 pressure regulator is manufactured in 316/316L stainless steel, and is intended for clean steam, gas and liquid service where a hygienic regulator is required.

Designed to be self draining, and with few components coming into contact with the flowing medium, use of the pressure regulator will ensure sterility is maintained in critical applications and eliminate the possibility of process fluid retention or fouling. The valve body uses either a bolted or clamped joint, allowing servicing and inspection to be carried out easily.

Available in a range of sizes, the pressure regulator can be supplied in either a metal-metal or soft seated configuration with interior surfaces finished down to 0.2 microns Ra.

Features offered by the Type 696 include:

- 316/316L stainless steel construction - provides optimum corrosion resistance.
- Self acting design - eliminates need for sensor line or external power source.
- Wide range of trim options - allows valve specification to be matched to system requirements.
- Lock-out device - allows clean-in-place(CIP) and steam-in-place(SIP) operations to be carried out with valve in line.

### Product specification

Sizes	3/4", 1", 1-1/2" & 2"
Connections	Tri-Clamp® compatible
Maximum kvs(m³/h):	
3/4"	0.43, 1.3
1"	1.3, 2.1, 3.8 & 4.7
1-1/2"	4.7 & 8.8
2"	8.8 & 16.2
Set point ranges(barg):	
3/4" & 1"	0.14-0.55, 0.35-1.7, 1.0-3.5 & 2.4-9.3
1-1/2"	0.7-1.7, 1.0-3.5 & 2.4-6.9
2"	0.35-1.7, 0.7-1.7 & 1.0-4.0
Nominal pressure ratings:	
3/4" & 1"	24barg@21°C/17barg@232°C
with body clamp	17 barg@21°C/9.3 barg@135°C
1-1/2" & 2"	13.7barg@21°C & 232°C
Shut off(ANSI)	Class III, VI(soft seat)

\*Available with clamped body only

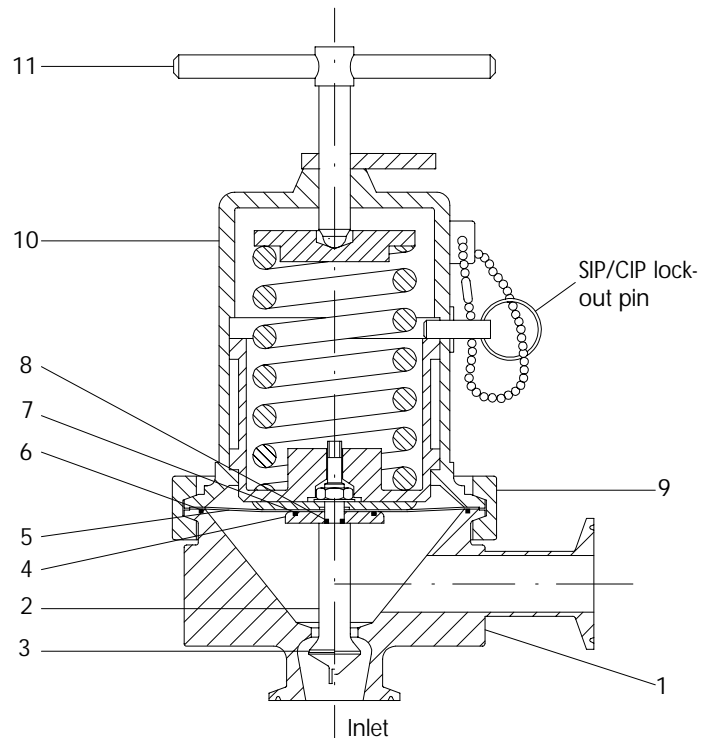
\*\*4.7m³/h available with elastomer diaphragm only

\*\*\*Available with elastomer diaphragm only

### Sizing

Consult Staitech for product selection, confirming:

- Application & flow medium
- Flow medium inlet & outlet pressures
- Flow medium maximum & minimum flowrates



### Materials of construction

1.	Lower body and seat	316L Stainless steel
2.	Valve stem	316L Stainless steel
3.	Soft seal(optional)	Gylon or PTFE
4.	Lower diaphragm plate	316L Stainless steel
5.	Diaphragm	EPDM, Gylon, PTFE/Viton or 316 Stainless steel
6.	Body seal	EPDM, PTFE/Silicone or PTFE/Viton
7.	Plate seal	EPDM, PTFE/Silicone or PTFE/Viton
8.	Stem seal	EPDM, PTFE/Silicone or PTFE/Viton
9.*	Body clamp	304 Stainless steel
10.	Upper body	316 Stainless steel
11.	Adjusting screw	316 Stainless steel

\* Body clamp available as an option with 3/4" & 1" valves only

Full parts breakdown available upon request

### Surface finish

Internal body surfaces/wetted parts:

Standard	0.5 microns Ra & electropolished
Optional	0.2 microns Ra & electropolished

External:

Standard	Machined/electropolished
Optional	Polished/electropolished

### Dimensions

See over for dimensions

Dimensions(mm)

	A	B	C	D	Weight(kg)
3/4"	86	38	194	145	7.3
1"	100	42	198	145	8.2
1-1/2"	107	64	267	184	18
2"	135	75	434	241	41

*For 3/4" and 1" valves with clamped bonnet, dimension A is 75mm and 89mm respectively, and dimension D is 190mm.*

