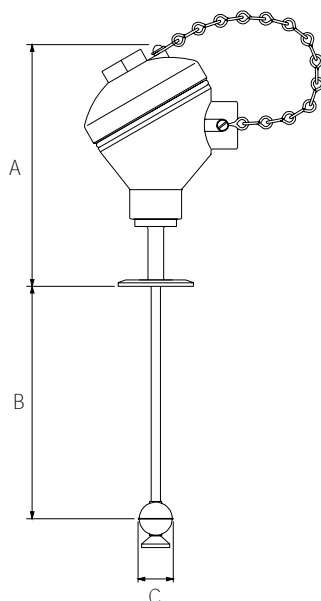
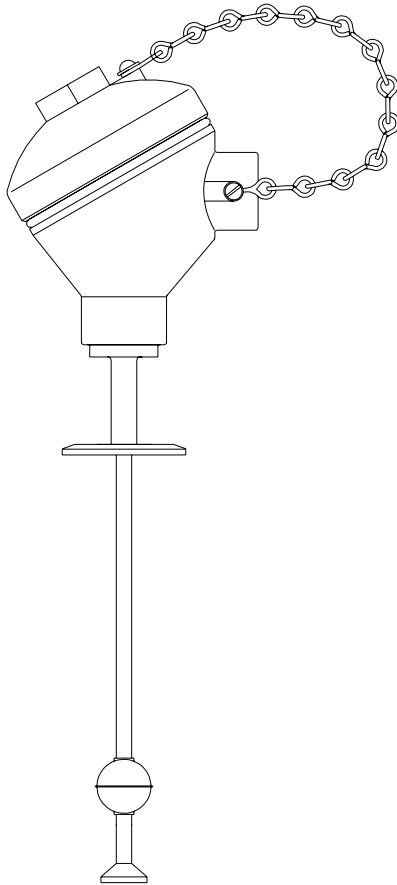


# Float Switch

FS01-TB  
01/04

# Staitech



## Float Switch

Float switches are available in top-entry and side-entry configurations with single or multiple floats/switching points. All wetted parts are manufactured from 316/316L stainless steel, with surfaces polished to 0.5 microns Ra. Internal reed switches have Rhodium plated contacts for optimum service life. Standard units are available with either a 1", 2", 2-1/2", 3" or 4" Tri-Clamp® compatible connection, with specifiable insertion lengths and switching points.

### Product specification

|                                |                                                                            |
|--------------------------------|----------------------------------------------------------------------------|
| Wetted parts                   | 316/316L Stainless steel                                                   |
| Terminal head/rating           | Epoxy coated aluminium(IP65),<br>Plastic(IP65) or stainless steel(IP65)    |
| Connection                     | 1", 2", 2-1/2", 3" or 4" Tri-Clamp® compatible                             |
| Probe/connector surface finish | 0.5 microns Ra                                                             |
| Switching mode                 | Open-on-rise or close-on-rise                                              |
| Contact rating                 | 10 VA                                                                      |
| Switching current(maximum)     | 1 A                                                                        |
| Carry current(maximum)         | 1.5 A                                                                      |
| DC switching voltage(maximum)  | 100 Vdc                                                                    |
| AC switching voltage(maximum)  | 150 Vdc                                                                    |
| Operating temperature range    | -40 to 125°C                                                               |
| Options                        | Flanged connection, safe area enclosures,<br>slosh guard, electropolishing |

*Full technical specification for reed switches available upon request.*

### Dimensions(mm)

| A   | B           | C  |
|-----|-------------|----|
| 160 | specifiable | 30 |