

Hygienic Butterfly Valve

HBV-03
08/02

Staitech

Hygienic Butterfly Valve

The hygienic butterfly valve range is manufactured in 316 stainless steel with a replaceable FDA approved EPDM, Silicon or Viton seat.

Valves are available from 1" to 4" with Tri-Clamp compatible®, tube weld or coupling connections. The disc/stem is a one piece low profile design ensuring minimal pressure drop and high Kv. All wetted surfaces are finished to either 0.8 or 0.5 microns Ra.

Valves are available either bare shaft, with either Nylon or stainless steel handle, or with direct mount pneumatic actuator.

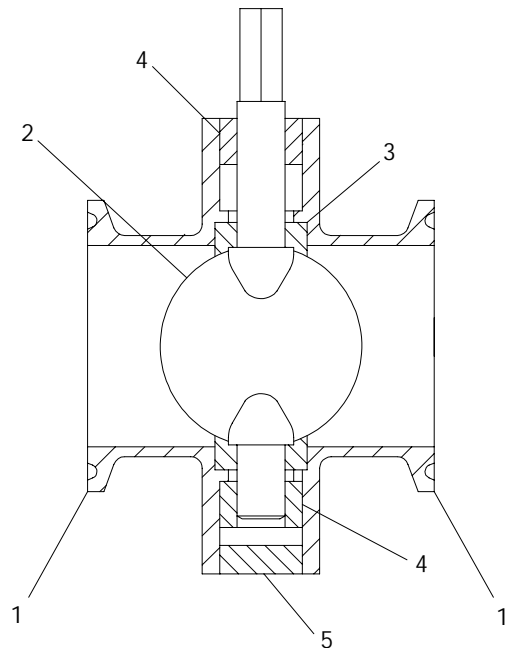
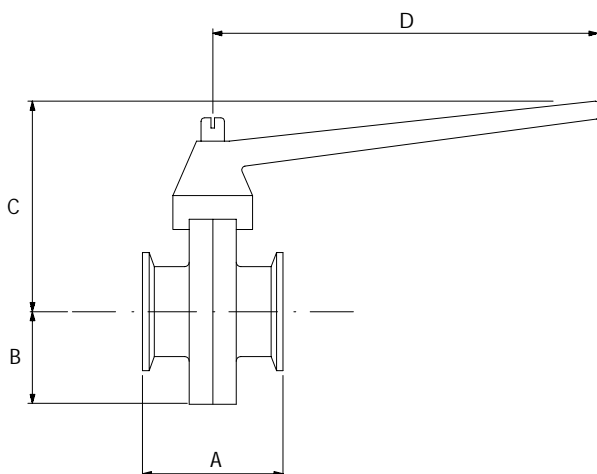
Features offered by the hygienic butterfly valve range include:

- 316 stainless steel construction - provides optimum corrosion resistance.
- Low profile one-piece disc/stem - provides high flow/low pressure drop characteristics.
- Top and bottom stem bearings - combined with seat design, ensures bubble tight shut-off.

Product specification

Sizes	1" - 4"
Seat material	EPDM, Viton or Silicone
Connections	Tri-Clamp® compatible, O.D. Tube, IDF & RJT
Handle types	1/4 turn on/off or 5 position*
Maximum operating pressure	10 barg
Temperature operating range	-10°C to 150°C
Options	Pneumatic actuation packages lockable handle

*only available in stainless steel



Materials of construction

1.	Body	316L Stainless steel
2.	Disc/stem	316L Stainless steel
3.	Seat*	EPDM, Viton or Silicone
4.	Bush	PTFE
5.	Plug	Acetal
6.	Handle	Nylon or Stainless steel
7.	Body screws	Stainless steel

Items 6 & 7 not shown *Seat materials FDA compliant

Surface finish

Internal body surfaces	0.8 & 0.5 microns Ra
External	Machined - 1.0 micron Ra

Valves with electropolished finish available upon request

Dimensions(mm)

	A	B	C	D	Weight(kg)
1"	60	40	90	165	1.8
1-1/2"	60	44	94	165	1.9
2"	60	50	101	165	2.5
2-1/2"	60	57	107	165	3.2
3"	60	63	113	165	3.6
4"	100	79	129	165	5.0

Dimension 'A' shown for valves with Tri-Clamp fittings. Consult Staitech for 'A' dimension for other fitting types.

Specification subject to change without notice