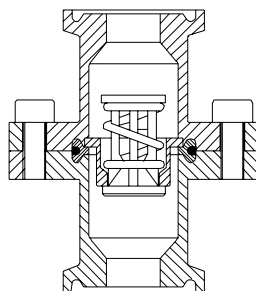
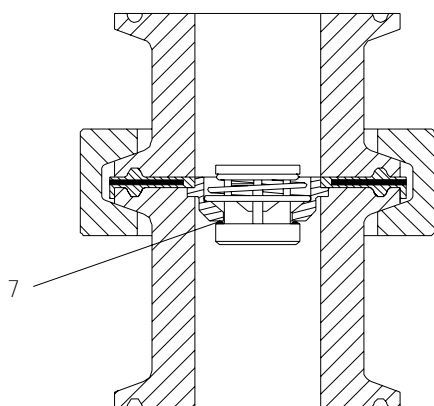
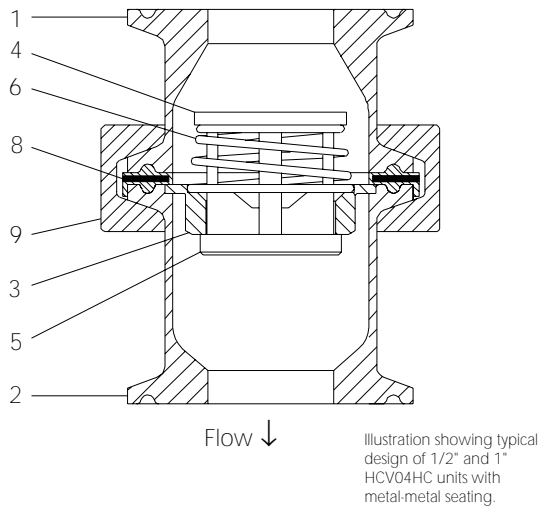


HCV04 Check Valve

HCV04-TB
01/05

Staitech



HCV04 Check Valve

The HCV04 check valve range are manufactured in 316/316L stainless steel and are available with clamp connections in sizes 1/2" to 4". High capacity units are available in sizes 1/2", 3/4" and 1" (HCV04HC).

Incorporating a removable cartridge element, valves can be supplied in one of four opening pressures, with either metal-metal seating or with a range of soft seat seals. Valves with metal-metal seating may be used in steam and condensate service.

All sizes of valve use a PTFE/Viton envelope body gasket, and can be fitted with either a hinged centre body clamp with hexagon or wing-nut closure, or two piece bolted clamp. 1/2" and 3/4" standard capacity units (HCV04SC) have a bolted body joint as illustrated.

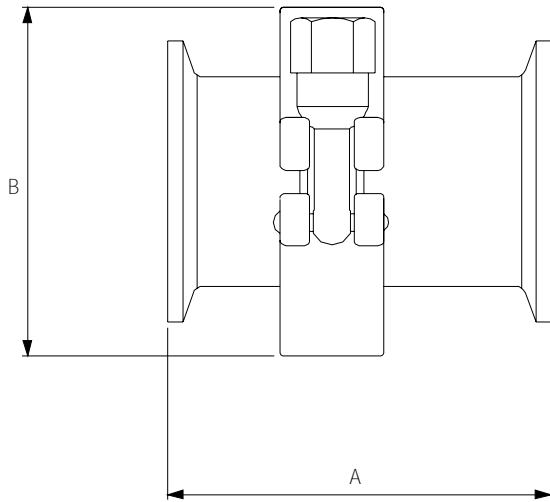
Product specification

Sizes	1/2", 3/4", 1", 1-1/2", 2", 2-1/2", 3" & 4"
Connections	Tri-Clamp® compatible
Opening pressures	8, 35, 100 & 240 mbar
Maximum operating conditions	16 barg @ 20°C
Operating temperature range:	
Metal-metal seating	-20°C to 225°C
EPDM seat seal	-20°C to 150°C
Viton seat seal	-20°C to 205°C
Surface finishes:	
Internal body surfaces	0.5 microns Ra
Cartridge valve body & head surfaces	0.8 microns Ra
Cartridge valve piston surfaces	1.2 microns Ra
External body surfaces	0.8 microns Ra
Options	DIN & ISO sizes, weld end fittings

Materials of construction

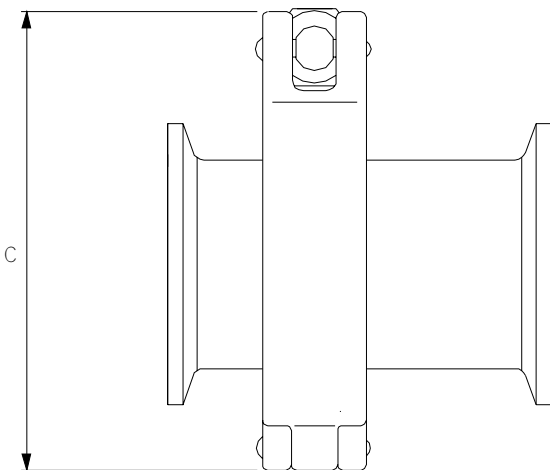
1.	Inlet body	316L Stainless steel
2.	Outlet body	316L Stainless steel
3.	Cartridge valve body	316 Stainless steel
4.	Cartridge valve piston	316 Stainless steel
5.	Cartridge valve head	316 Stainless steel
6.	Cartridge valve spring	316 Stainless steel
7.*	Cartridge valve seat seal	EPDM, Viton, PTFE, Kalrez
8.	Body seal	PTFE/Viton envelope
9.	Body clamp	316 Stainless steel

*Only when fitted. Standard valves have metal-metal seating.



Dimension(mm)

Size	A	B Hinged clamp	B Bolted clamp	C Hinged clamp	C Bolted clamp
1/2" SC	50	-	-	-	44
1/2" HC	80	60	68	83	105
3/4" SC	50	-	-	-	44
3/4" HC	80	60	68	83	105
1" SC & HC	70	60	68	83	105
1-1/2"	80	60	68	83	105
2"	80	80	110	100	113
2-1/2"	80	90	115	125	128
3"	80	100	120	140	140
4"	114	110	135	170	165



Valve capacities

Size	Orifice(mm)	kvs
1/2" & 3/4" SC	8.8	2.0
1/2" & 3/4" HC	11.8	4.0
1" SC	11.8	4.0
1" HC	22.6	8.0
1-1/2"	22.6	8.0
2"	28.8	18
2-1/2"	35.2	32
3"	51.4	60
4"	65.0	109

