

# Pneumatic Control Valve - (1" - 4")

HPCS-02  
03/99

# Staitech

## Pneumatic Control Valve

The pneumatically actuated control valve is manufactured in 316L stainless steel, and is ideally suited to pressure, temperature and flow control applications in high purity steam, water and process fluid systems. Operating in conjunction with a sensor and controller, the valve will ensure responsive and accurate control over a wide range of pressure and flow conditions.

Designed to be self draining, and with few components coming into contact with the flowing medium, use of the valve will ensure sterility is maintained and eliminate the possibility of process fluid retention or fouling. The bonnet and valve body joint utilises a clamp fitting allowing easy dismantling for servicing and inspection.

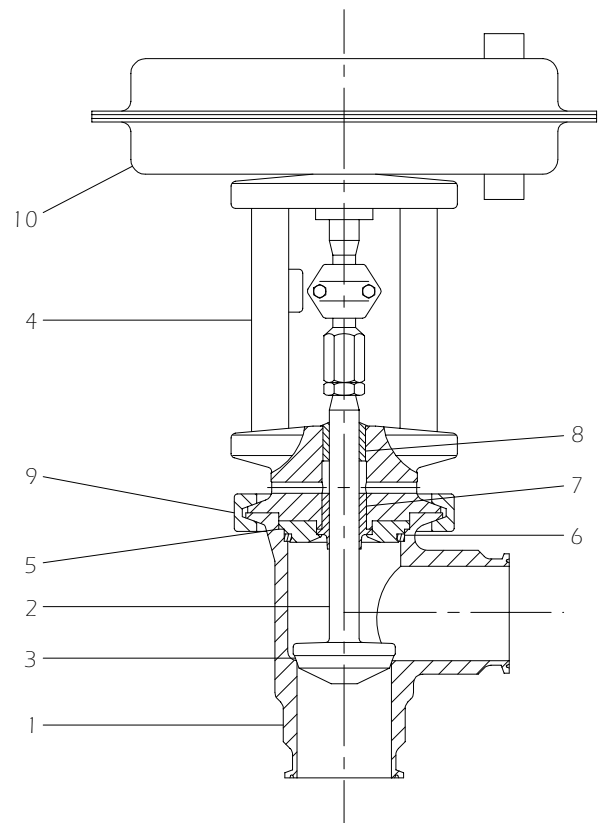
Available in a range of sizes, the valve can be supplied in either a metal-metal or soft seated configuration with interior surfaces finished to 0.2 microns Ra. Actuators can be fitted with a direct mounting pneumatic or electro-pneumatic positioner allowing the valve to operate with a wide range of control signals.

### Features offered by the Pneumatic Control Valve range include:

- 316L/316Ti stainless steel construction - provides optimum corrosion resistance.
- Self draining design - eliminates possibility of condensate or process fluid retention.
- Pneumatic actuation - ensures responsive and accurate control.

### Product specification

Sizes	1" - 4"
Kvs range	0.1 - 160
Connections	Tri-Clamp® compatible or weld ends
Nominal pressure rating	PN16
Temperature range	-10°C - 150°C
Valve characteristics	Equal percentage
Shut off(DIN IEC 534)	IV, IV-S2(soft seat)
Rangeability	1" - 2" 50:1, 2-1/2" - 4" 30:1
Control signal	3-15 psi or 4-20 mA
Fail-safe action	Fail-open or fail-close
Surface finish:	
Internal body surfaces	Fine turned - 1.0 micron Ra Polished - 0.6 or 0.4 microns Ra
External	Satin - bead blast finish - 1.6 micron Ra Polished - 0.6 microns Ra
Options	Bonnet with steam connection



### Materials of construction

1.	Body and seat	316L Stainless steel
2.	Valve plug stem	316L Stainless steel
3.	Valve plug seal	
	Metal-metal seat	316L Stainless steel
	Soft seat	PTFE
4.	Bonnet	316L Stainless steel
5.	Centring ring	316L Stainless steel
6.	Body seal	PTFE
7.	Stem seal	PTFE
8.	Stem bush	PTFE
9.	Body clamp	304 Stainless steel
10.*	Actuator	Epoxy coated steel

\* Stainless steel version also available

**Valve selection:** Consult Staitech for valve selection.

**Dimensions:** Dimensions are based on valve and actuator combinations, and are available upon valve selection.

Specification subject to change without notice