

# DN63 Pressure Gauge - BSP connection

HPG-05  
08/02

# Staitech

## DN63 Pressure Gauge

The DN63 pressure gauge is available in a wide range of options, allowing gauge selection to be made based on system requirements. Offering a high degree of accuracy, the DN63 gauge has a unique temperature compensation system, which counters the effect on accuracy caused by variations in ambient temperature.

### Product Specification

#### Materials:

Case	316 stainless steel or epoxy coated steel
Measuring system	316 stainless steel or Bronze
Internal movement	316 stainless steel or Brass
Lens	Acrylic or toughened glass

Process connection 1/4", 3/8" or 1/2" BSP

Connection entry Bottom or rear

Accuracy Class 1.6,  $\pm 1.6\%$  Full scale

Over range protection 30 % above selected range

#### Medium temperature range

Acrylic lens - dry case	-20°C to 130°C
Toughened glass lens - dry case	-20°C to 200°C
Glycerine oil filled case - either lens	0°C to 100°C
Silicone oil filled case - either lens	-40°C to 70°C

#### Ambient temperature range\*

Acrylic lens - dry case	-10°C to 70°C
Toughened glass lens - dry case	-10°C to 120°C
Glycerine oil filled case - either lens	0°C to 60°C
Silicone oil filled case - either lens	-40°C to 50°C

Damping Dry, Silicone or Glycerine oil

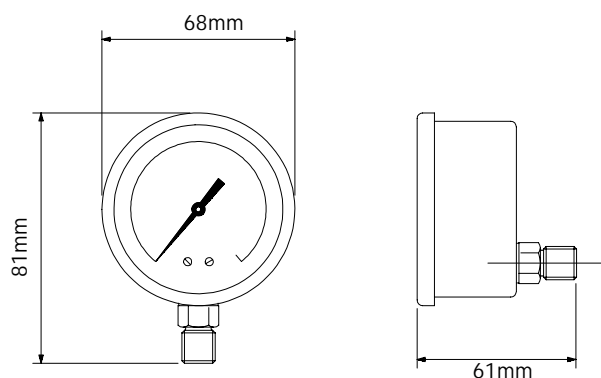
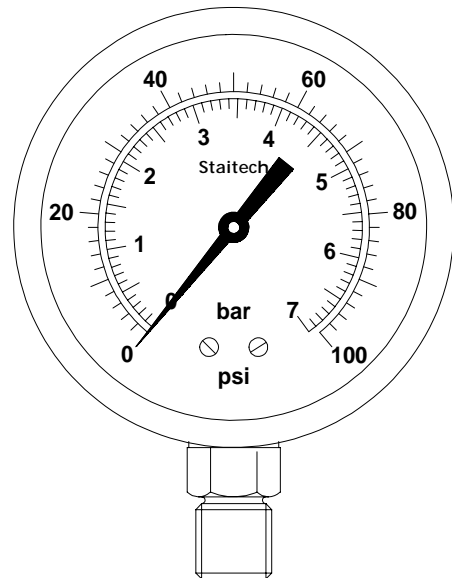
Options Panel or surface mount version

*\*Average of combined ambient and medium temperature must not exceed maximum ambient temperature*

#### Pressure ranges(bar) \*

-1-0-0.6, -1-0-1, -1-0-1.5, -1-0-2.5, -1-0-3, -1-0-5, -1-0-9, -1-0-15, 0-1, 0-1.6, 0-2.5, 0-4, 0-6, 0-10, 0-16, 0-25

*\*Higher scale ranges, psi and dual scale gauges available upon request*



Specification subject to change without notice