

Pressure Relief Valve(1/2" & 3/4")

HSV-05
12/99

Staitech

Pressure Relief Valve(1/2" & 3/4")

The 1/2" and 3/4" pressure relief valves are manufactured in 316 stainless steel and are intended for liquid, air and gas service where a hygienic valve is required.

Designed to prevent accumulation of fluid in the discharge port, the valves are ideal for protecting liquid distribution systems from over pressure, and for relieving back pressure in pumped lines and small process vessels.

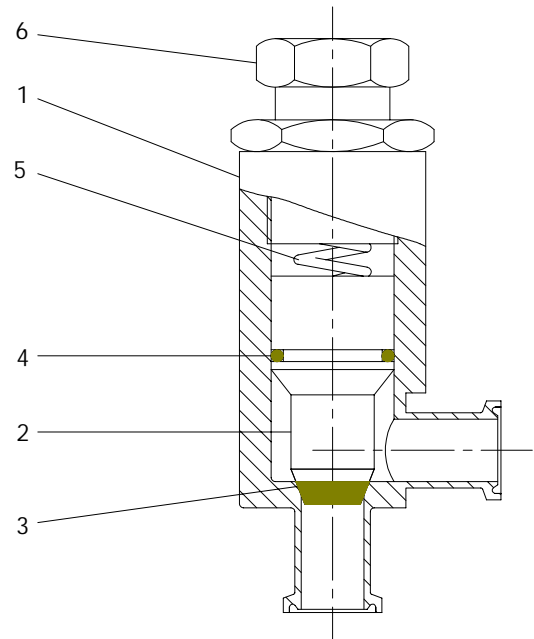
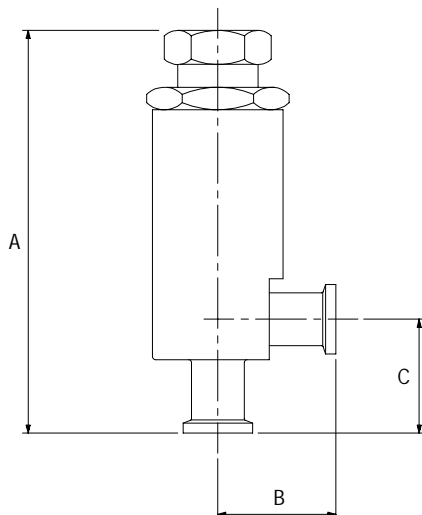
Available in 1/2" and 3/4" sizes, the pressure relief valve can be supplied with interior surfaces finished down to 0.5 microns Ra, including electropolishing. Valves are set and sealed at the required relieving pressure prior to delivery.

Features offered by the 1/2" & 3/4" valves include:

- 316 stainless steel construction - provides optimum corrosion resistance.
- Full diameter outlet port - prevents entrapment of discharge medium.
- Wide set pressure range and surface finish options - allows valve specification to be matched to system requirements.

Product specification

Sizes	1/2" & 3/4"
Relieving pressure ranges	0.5 - 10 bar
Maximum allowable temperature	120°C
Connections	Tri-Clamp® compatible
Options	Wire lockd adjustment screw



Materials of construction

1.	Body	316 Stainless steel
2.	Valve Stem	316 Stainless steel
3.	Seat seal	EPDM or PTFE
4.	Stem seal O-ring	EPDM or PTFE
5.	Spring	Stainless steel
6.	Adjustment screw	Stainless steel

Surface finish

Internal body surfaces	Standard - 0.8 microns Ra Optional - 0.5 microns Ra
------------------------	--

External	Machined
----------	----------

Electropolished valves also available. Seal materials FDA compliant

Dimensions(mm)

	A	B	C
1/2"	145	43	54
3/4"	130	43	42