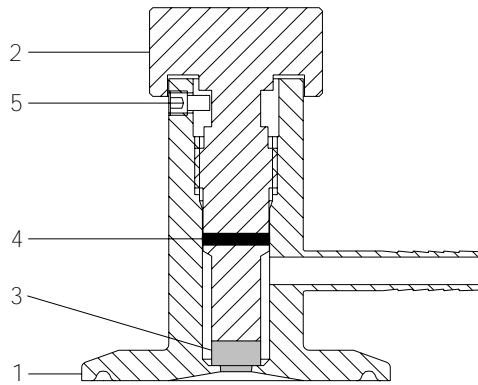


# HSV30 Sample Valve

HSV30-TB  
11/06

# Staitech



## HSV30 Sampling Valve

Designed for sampling water and process fluids, the HSV30 utilises a TFM PTFE or Peek seat seal to ensure bubble tight shut-off. The HSV30 is available with either 1/2" or 1" clamp system connection and 6.5mm hose tail sample outlet fitting. The sample outlet is fitted with a removable Silicone dust cap. Wetted surfaces are finished to 0.4 microns Ra. The HSV30 is suitable for applications where steam sterilisation(SIP) is performed.

### Product specification

Connections:

Inlet 1/2"/3/4" or 1"/1-1/2" Tri-Clamp® compatible\*  
Outlet 6.5mm hose barb

Maximum operating pressure 10 barg

Maximum operating temperature 150°C

Surface finish

Wetted surfaces\*\* 0.4 microns Ra  
External surfaces 0.8 microns Ra

\*2" clamp, threaded and weld end inlet connection also available

\*\*Electropolished finish available upon request

### Materials of construction

1.	Body	316L Stainless steel
2.	Valve stem	316L Stainless steel
3.	Seat seal	TFM PTFE or Peek
4.	Stem seal	Viton or EPDM
5.	Travel stop	Stainless steel

### Dimensions(mm)

A	B	C
40	64(open)	18

