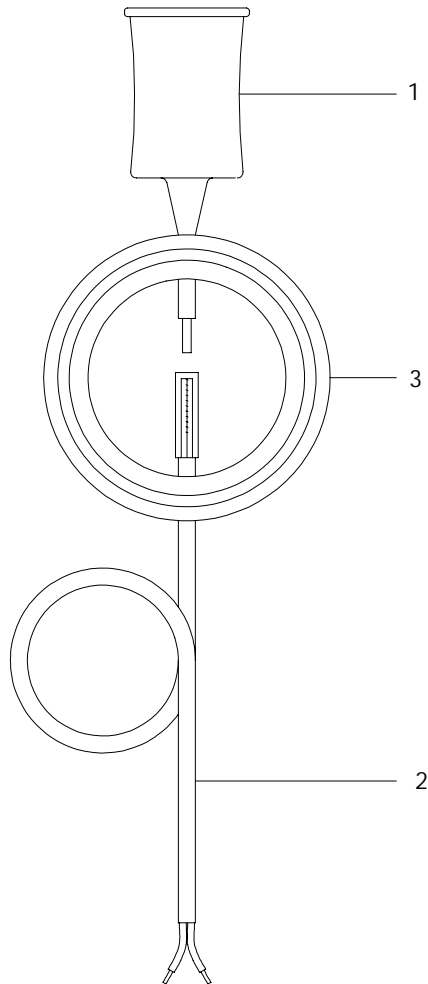


Seal Insert Temperature Probe

HTT-02
04/02

Staitech



Seal Insert Temperature Probe

The seal insert temperature probe is designed to fit between standard Tri-Clamp® compatible fittings ranging from 1/2" to 4". A Silicone or EPDM seal is used in conjunction with a hinged clamp to accommodate either a Type K or T thermocouple insertion probe or Type K or T thermocouple wire.

Wetted surfaces of the insertion probe are 316 stainless steel. The probe is fitted with a female miniature plug with rubber protective cover.

The thermocouple wire can be supplied with either a PTFE coating for 'wet' sensing applications or Kaptan coating for 'dry' sensing applications. The wire length for a standard unit is 3m. The wire can be fed through the seal opening to allow measurement of temperatures at points remote to the clamp fitting.

A battery operated hand held indicator with lead and plug is available for use with either probe type, indicating temperature in degrees C or F.

The seal insert temperature probe is ideal for in line system validation in both steam and liquid systems.

The seal insert gasket can also be used with a range of sampling probes, details of which are outlined in data sheet SIP-01.

Product specification

Clamp sizes	1/2" to 4"
Seal materials	EPDM or Silicone
Sensor types	Type K or T thermocouples
Clamp specification	304 stainless steel
Accessories	Hand held indicator, 4-20mA transmitter

Item listing

1.	Thermocouple probe
2.	Thermocouple wire
3.	Seal