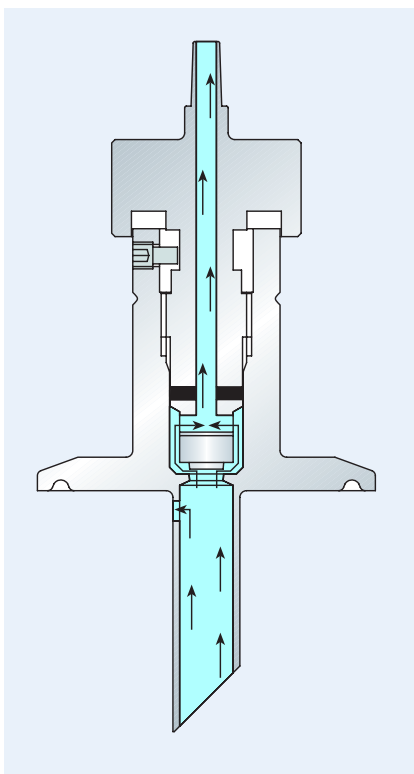


Staitech



Sample Valves



HSV20 & HSV30 Sample Valves

The HSV20 and HSV30 ranges are suitable for sampling high purity water and process fluids. Valves are available with 25mm, 34mm, 50.5mm or 64mm clamp connection to match ASME BPE, DIN and ISO fittings.

The HSV20 is a straight-through design with either 6.5mm hose barb or 6% Luer sample outlet fitting. The outlet of the HSV30 is at 90 degrees to the body and has a 6.5mm hose barb connection. The sample outlet on all models is fitted with a Silicone protective dust cap to prevent ingress when not in use.

For applications where sampling within the process flow is required the HSV20 can be supplied with 33mm long insertion tube. Both valve models can be steam sterilised in-situ or by autoclaving. Valves can also be sanitised prior to sampling using a suitable alcohol. All valves are uniquely serialised and are supplied with full supporting material certification.

Product Features

- Sterile design
- Wide range of connection sizes
- Optional insertion tube - HSV20 model
- Full material certification as standard

Product specification

Materials of construction

Body & Stem - 316L Stainless steel, Plug - TFM PTFE, Stem seal - Viton or EPDM
Travel stop - Stainless steel, Dust cap - Silicone

Connections

Sample inlet

25mm clamp - 1/2" & 3/4" ASME BPE, ISO DN8 & DN10
34mm clamp - DIN DN8, DN10, DN15 & DN20
50.5mm clamp - 1" & 1-1/2" ASME BPE, DIN DN25, DN32, ISO DN15, DN20 & DN25
64mm clamp - 2" ASME BPE, DIN DN40, ISO DN32 & DN40

Sample outlet

HSV20 - 6.5mm hose barb or 6% Luer
HSV30 - 6.5mm hose barb

Insertion tube - standard option for HSV20 only

25mm, 34mm, 50.5mm & 64mm clamps - 33mm insertion length

Surface finish

Wetted surfaces - 0.4 microns Ra and electropolished
External surfaces - 0.8 microns Ra and electropolished

Sample flow rate

Up to 5 l/min @ 2 barg inlet pressure

Operating conditions

Maximum operating pressure - 10 barg
Maximum sample temperature with Viton seal - 205°C
Maximum sample temperature with EPDM seal - 135°C

Options

Threaded and weld end process connections, PEEK plug, Silicone stem seal

Certification

Material certification available covering all wetted parts
Plug and stem seal materials are FDA and USP Class VI compliant

Cleaning & packaging

All valves are cleaned, bagged and individually boxed

Staitech

Staitech Ltd • PO Box 152 • Stroud • Glos • GL6 8YT • UK

Tel: +44 (0) 1453 882736 • Fax: +44 (0) 1453 882744

Email: info@staitech.com • Web: www.staitech.com

Specifications subject to change without notice. HSV02-03-07 ©2007 Staitech Ltd