

Hygienic Check Valve

IM-HCV-02
02/00

Staitech

Hygienic Check Valve

The hygienic check valve is suitable for use in liquid and gas systems not exceeding 10 barg at 120 deg. C.

Installation

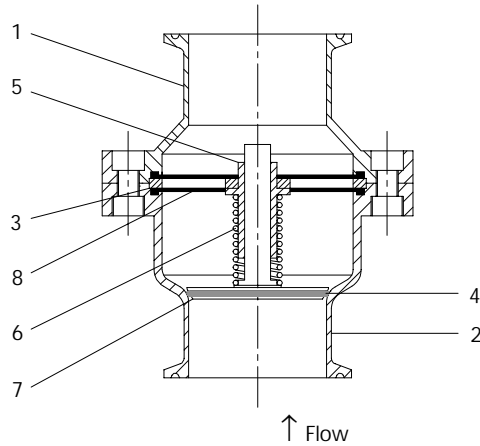
The check valve will operate when installed in any orientation. Flow should be toward the flat face of the seal plate(4) as illustrated.

Maintenance

The check valve is easily disassembled for cleaning or maintenance. Replacement body and seat seals are available, as is a complete internals assembly. Disassembly/assembly instructions are as follows:

1. Remove complete valve from line, firstly ensuring any residual system pressure has been relieved.
2. Loosen and remove body screws. If a unit is fitted with a central body clamp, this should be loosened and removed.
3. Remove all internal components, checking for signs of wear or damage.
4. Fit new body and seat seals(7 & 8) if necessary.
5. When reassembling the internal components, ensure that the guide plate(3) is positioned with the flat spring shoulder of the stem guide(5) facing the seal plate(4).
6. Refit internals into outlet valve body(2) and marry with inlet body(1). Re-fit and tighten body bolts or clamp as appropriate .

Caution: When welding valves in-line care should be taken to protect internal seals. Staitech recommend that valves are disassembled prior to welding.



Parts list

1.	Inlet body
2.	Outlet body
3.	Guide plate
4.	Seal plate
5.	Stem guide
6.	Spring
7.	Seat seal
8.	Body seal(2 off)

Available spares

Complete internal assembly including all seals, body seals(8) & seat seal(7)