

Pharma & Biotech

maximum 35 bar in / ranges up to 7 bar out
spring loaded

PHE3200 Series

Specifications

❑ Operating Parameters

Max. rated inlet pressure: ...35 bar (500 PSIG)

Outlet pressure ranges:

.....0 - 1.7 / 0 - 3.5 / 0 - 7 bar

.....(0 - 25 / 0 - 50 / 0 - 100 PSIG)

Design proof pressure: 150% of rated pressure

Leakage:

Internal: ANSI Class VI Shut-off

External: < 2 x 10⁻⁸ mbar l/s He

Operating temperature (media only):

Teflon® seat: -40 °C to 74 °C

PEEK OPTIMA® seat: -40 °C to +204 °C

Flow capacity: Cv = 1.0, 1.8

❑ Media Contact Materials

Body: 316L Stainless Steel

Seat: Teflon® or PEEK OPTIMA®

O-ring: Ethylene Propylene

Diaphragm: 316 Stainless Steel

Seat retainer: Nitronic 60

Remaining parts: 316 Stainless Steel

For other materials and modifications, please contact factory.

❑ Connections

Sanitary Fitting

Tube Ends

High Purity Internal Connections (H.P.I.C)

(gauge port only)

❑ Weight (approximately): 1.58 kg



Advantages

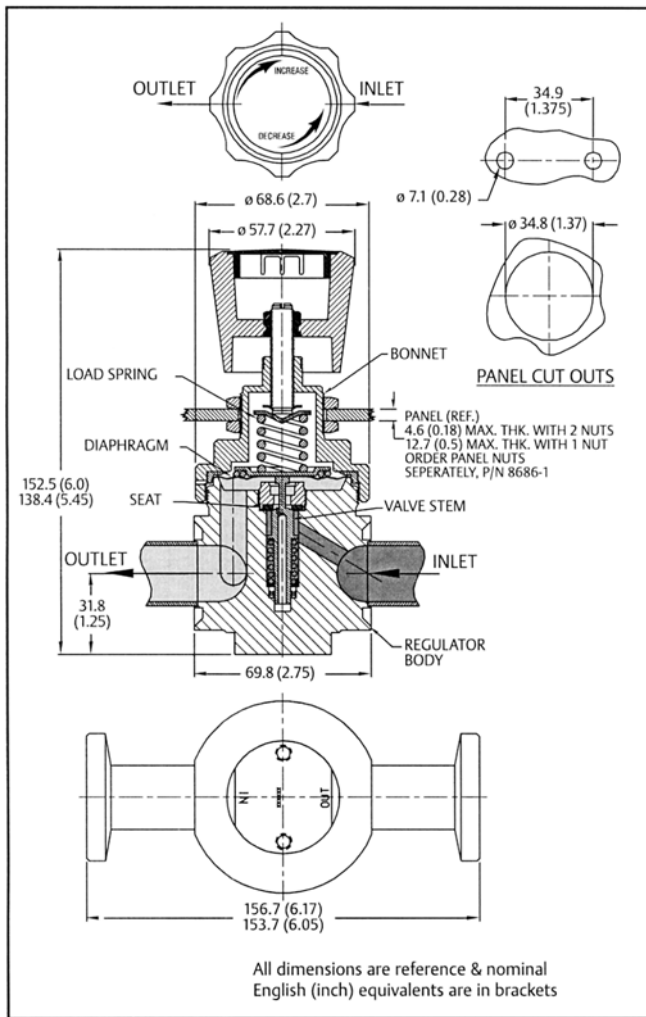
- 316L Stainless Steel barstock regulator body design
- FDA and USP Class VI compliant soft goods
- Clean Service Certification of Compliance available: actual material certificates for body and fittings, list of wetted parts, weld records, typical certificate for the welding gas, statement concerning internal surface finish
- Ra 15 μinch (0.4 μm) or 32 μinch (0.8 μm) internal surface finish
- Precise pressure control
- Low flow specialty gas and clean steam applications
- Gauge port available

Teflon® is a registered trademark of Du Pont.

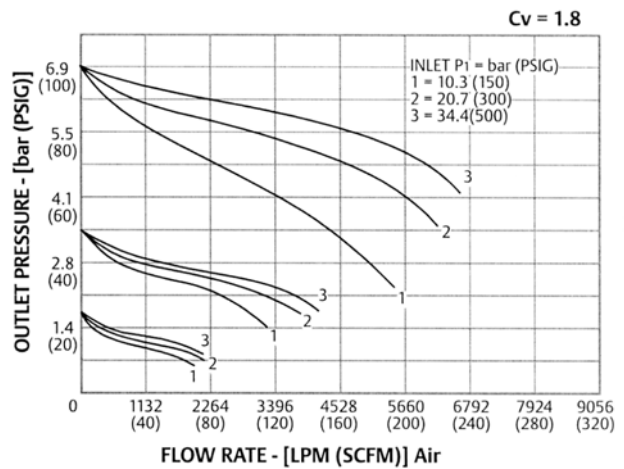
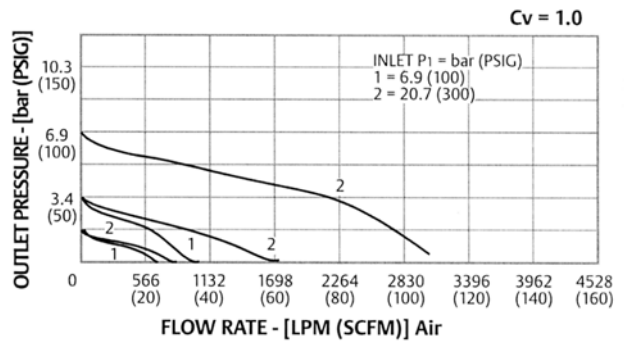
PEEK OPTIMA® is a registered trademark of Invibio Ltd.

VCR® is a registered trademark of Swagelok

PHE3200 Series Pharma & Biotech



Flow Charts



Part Number Selector

Example Part Number:

BASIC SERIES	BODY SURFACE FINISH	SEAT MATERIAL	LOAD TYPE	OUTLET PRESSURE RANGE [bar (PSIG)]	IN & OUT PORT TYPE	IN & OUT PORT SIZE WALL THICKNESS	FLOW CAPACITY	GAUGE PORT OPTIONS	CERTIFICATE OF CONFORMANCE
PHE32	A - 15 Ra (0.4 μm)	Teflon®	0 - Spring	0 - 1.7 (0 - 25)	8 - Sanitary 9 - Tube	08 - 1/2" 1/2" OD x 0.065" wall 12 - 3/4" 3/4" OD x 0.065" wall	2 - Cv = 1.8 3 - Cv = 1.0		A - None B - Clean Service Certification

For more information to **Repair Kits, Accessories & Modifications** please contact factory.