

# ASEPTIC SAMPLING VALVES

Fig. No. VPA-.....



## FEATURES

THE **aerre** ASEPTIC SAMPLING VALVE **VPA** WITH HOLLOW VALVE PLUG FEATURES A VERY COMPACT DESIGN THAT ALLOWS THE INSTALLATION IN SPACE CONSCIOUS AREAS OF SMALL VESSELS OR PRODUCT LINES IN CHEMICAL AND PHARMACEUTICAL PLANTS.

## ZERO DEAD LEG

ONCE INSTALLED, THE VALVE PLUG SHUTS OFF DIRECTLY AT THE SEAT INLET PORT CONNECTION, ELIMINATING THE TYPICAL TAKE OFF LEG. CONTAMINATION IS AVOIDED, AND UNCONTROLLED GROWTH OF BACTERIA CANNOT TAKE PLACE.

## VALVE BODY

THE TWO-PIECE VALVE BODY IS MACHINED FROM SOLID BAR STOCK AISI 316L STAINLESS STEEL. AVAILABLE WITH BUTT WELD END OR BS 4825 CLAMP END CONNECTION IN SIZE 1". OTHER END CONNECTION TYPES AVAILABLE UPON REQUEST.

## ACTUATORS

HAND OPERATED, KNOB ADJUSTABLE.

HAND OPERATED, ON/OFF TOGGLE LEVER, NON-ADJUSTABLE.

AIR OPERATED, ON/OFF SINGLE ACTING, SPRING CLOSING

PNEUMATIC ACTUATOR IN STAINLESS STEEL.



## COMPLIANCE, APPROVALS AND VALIDATION DOCUMENTATION

ALL VALVES ARE FULLY TRACEABLE. TO ASSIST IN VALIDATION PROCESSES, MATERIAL TEST CERTIFICATES EN 10 204 3.1B, 3A STANDARDS COMPLIANCE CERTIFICATES, FDA REGULATIONS COMPLIANCE CERTIFICATES, AND MANUFACTURER'S CERTIFICATE OF SURFACE ROUGHNESS ARE AVAILABLE ON REQUEST.

## STERILE SAMPLING

DEVELOPED FOR TAKING SAMPLES OF PROCESS MEDIA IN A STERILE WAY, THE SPECIAL CONFIGURATION ASSURES EFFECTIVE CLEANING (CIP) AND STERILIZATION (SATURATED STEAM) OF CONTACT SURFACES OF VALVE AND SEATING PLUG (VALVE IN CLOSED POSITION).

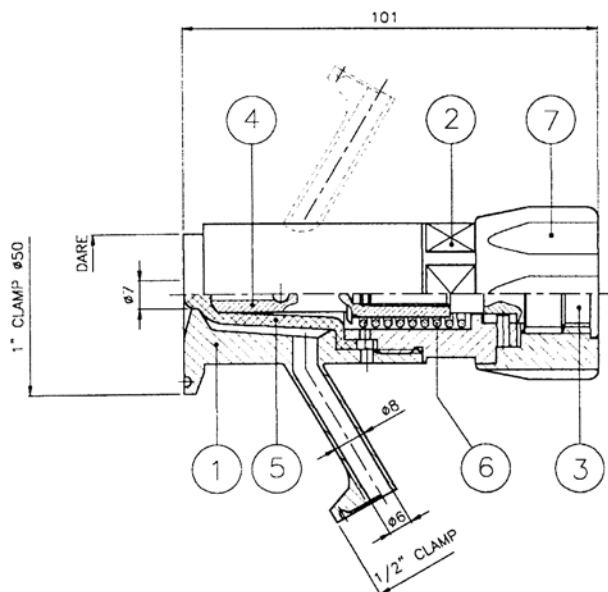
THE VALVE BODY CAN BE FILLED WITH ALCOHOL, WATER ENRICHED WITH OXYGEN OR OTHER ADDITIVES, TO PROVIDE A PROTECTIVE BARRIER ON THE SEALING PLUG IMMEDIATELY PRIOR TO AND AFTER THE SAMPLE EXTRACTION (PLUGS IN EPDM).

## IMPORTANT !

FOR RELIABLE PERFORMANCE THERE MUST BE A SAFETY MARGIN BETWEEN THE SPRING LOAD OF THE SEATING PLUG AND THE TOP PRESSURE OF THE PROCESS MEDIUM. HIGHER PRESSURES WILL OPEN THE VALVE.

PLEASE INDICATE THE TOP SYSTEM PRESSURE OF YOUR APPLICATION.

UNEXPECTED MATERIAL IN THE OUTLET ARE INDICATIONS OF OVERPRESSURE AND/OR DAMAGE TO THE SEATING PLUG.



## MATERIALS OF CONSTRUCTION

- 1 Body AISI 316L
- 2 Cover AISI 316L
- 3 Valve stem AISI 316L
- 4 Valve cone AISI 316L
- 5 Hollow valve plug SILICONE or PTFE
- 6 Spring AISI 304
- 7 Knob PTFE, autoclavable

## WORKING CONDITIONS

PRESSURE = max. 8 bar

TEMPERATURE = -30°C up to +150°C

FLOW = max. 1.200 lt/h (2 bar)

## SURFACE FINISHES

EXTERNAL MIRROR POLISH

INTERNAL MECHANICAL POLISH Ra < 0,4 m